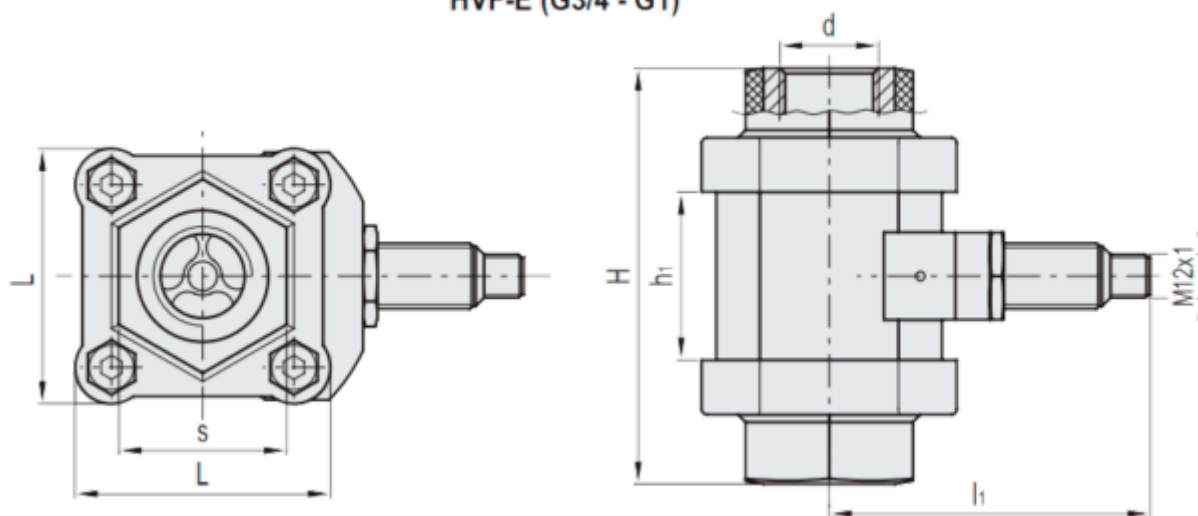


Article number: 2311111335

Description: E+G Visual flow indicators HVF.114-E-3/4

Measures

HVF-E (G3/4 - G1)



d = 3/4
g = 747
H = 114
h1 = 46
L = 70
s = 46